

VC-A50P IP PTZ Camera

LumensTM
Brilliance by Design

The LumensTM VC-A50P HD Pan/Tilt/Zoom (PTZ) IP camera is equipped with a professional 1/2.8 inch image sensor with Full HD 1080p output at 60 fps. It's power supplied through the Power over Ethernet (PoE) providing an economical and easy solution. The superior 20x optical zoom lens, excellent white balance, and exposure mode delivers a clear image even in low light or the extreme contrast of brightness and darkness in a lecture hall.

The VC-A50P has different interfaces like Ethernet, HDMI, and 3G-SDI. It supports live broadcasting with MJPEG, H.264 / SVC format and further more its low-latency is less than 120ms. These features not only allow for simultaneous image outputs, they also result in the best image quality and is compatible with all video equipment. The camera covers a wide shooting angle and achieves high-speed, quiet, and precise positioning with smooth PTZ operations.

The VC-A50P is applicable for lecture recording, videoconferencing, and live broadcasting.

SRT | SECURE
RELIABLE
TRANSPORT



1080p
60fps

20X
Optical
zoom

POE+

HDMI

3G
SDI

Key Features

- Full HD 1080p signal output format with a high frame rate of 60 fps
- Supports live broadcasting (MJPEG, H.264 support SVC)
- Support POE (Power Over Ethernet) using network cables supply power
- Support NDI|HX compatibility for NDI-based video production
- Supports SRT (Secure Reliable Transport) protocol that optimizes streaming performance
- Ethernet low latency (< 120 ms)
- Ethernet, HDMI, and 3G-SDI synchronous image outputs
- Audio input support AAC encoding with 44.1/48 K sampling frequency
- Free Lumens VMS software for controlling the cameras remotely

More Details

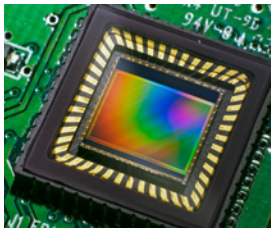


Image Quality

The VC-A50P is equipped with a professional 1/2.8 inch image sensor with Full HD 1080p output resolution. The sensor provides high color reproduction, high-definition signals, and crystal-clear image quality.



Supports PoE+ for Easy Installation

Power supplied through the PoE+ (Power over Ethernet) without additional power supply and cables that bring cost-effective and simple installation.

Wide Range Pan/Tilt/Zoom Action

The VC-A50P has a wide shooting area (pan angle from -170° to +170° ; tilt angle from -30° to +90°), as well as quiet, fast, and precise positioning movements.



Multiple Signal Interface

The VC-A50P has multiple interfaces like Ethernet, HDMI, and 3G-SDI for simultaneous image outputs.

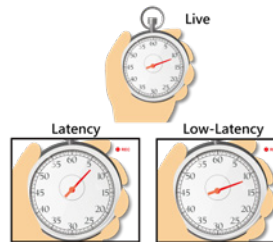
Audio Input Support

The VC-A50P supports stereo audio input and AAC encoding transmission through the Internet, SDI and HDMI to extend the distance of the audio device. Through this transmission, sound quality is enhanced and installation costs are reduced.



Low-Latency Streaming

The VC-A50P supports MJPEG/ H.264 / SVC video compression format which reduce the bandwidth and it also supports low-latency and the fast response time is less than 120 ms so that allows human-unnoticeable delays between live image and streaming video.



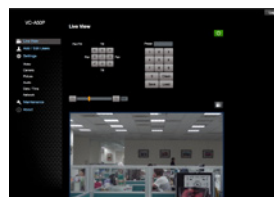
RS-232/422 Remote Control

The camera's settings and PTZ control functions can be performed remotely at any location and at high communication speeds via the RS-232/422 interface.



Remote image monitoring for IP Control

The built-in web page allow you to use an IP browser to remotely view and control camera using a PC, Mac or mobile devices. IP video can be transmitted to up to 5 terminals.



Free Camera Control Software

Free Lumens camera control software for controlling Lumens PTZ cameras and pre-view function supports 1080p with 60fps video output. Easy to adjust camera pan, tilt, zoom operation, pre-set and image setting.



Support an upgrade for NDI|HX compatibility

VC-A50P can be upgraded to support NDI|HX technology for NDI-based video production.



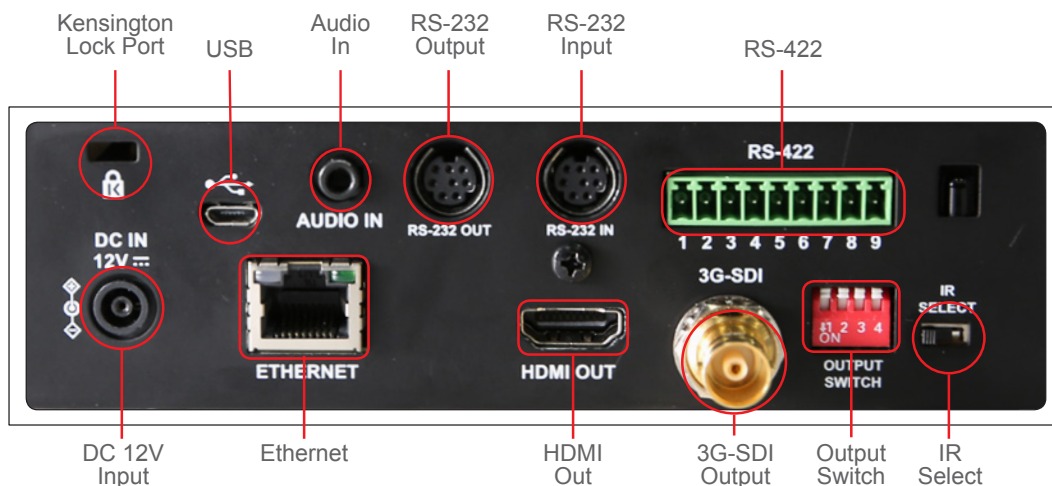
IP Streaming Format

Stream		CHANNEL 1		CHANNEL 2
Settings		H.264	MJPEG	H.264/MJPEG
Resolution		1920x1080	1920x1080	D1
		1280x720	1280x720	
Frame Rate	60/59.94 Hz	60 / 30 / 15	30 / 15	30 / 15
	50 Hz	50 / 25	25	25
Bit Rate		20000 kbps~64 kbps	2~97	8000 kbps~64 kbps
Audio Transmission		AAC/G.711		
PoE+		Yes		

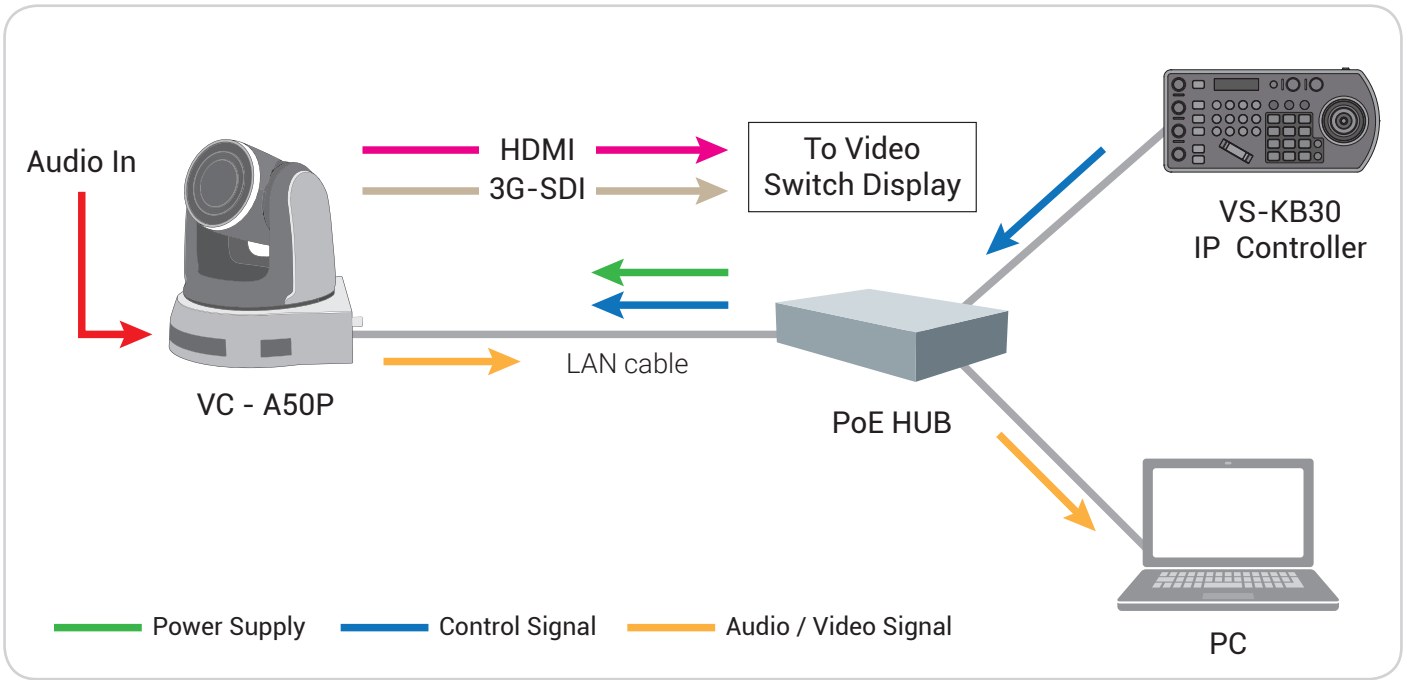
Product Specifications

Sensor	1/2.8" 2MP CMOS	Video Compression	MJPEG, H.264 / SVC
Video Output	1080p 60 / 59.94 / 50 fps, 1080i 60 / 59.94 / 50 fps, 1080p 30 / 29.97 / 25 fps, 720p 60 / 59.94 / 50 fps,	3D NR	Yes
		Horizontal Viewing Angle	63°
Optical Zoom	20x	Aperture	F1.6 ~ F3.5
Panning Angle	-170° ~ +170°	Minimum Illumination	1.0 lux (F1.6, 50IRE, 30fps)
Tilting Angle	-30° ~ +90°	Minimum Object Distance	1.2m
Preset Positions	128	Gain Control	Auto, manual
Video Output (HD) Interface	3G-SDI, HDMI, Ethernet	White Balance	Auto, indoor, outdoor, one-push, manual
Video Stream	RTSP / RTMP	Exposure Control	Auto, manual
PoE	PoE+ (IEEE802.3at)	Focus System	Auto, manual
Camera Control Interface	RS-232 / RS-422 / Ethernet	Image Flip	Yes
Camera Control Protocol	VISCA / PELCO D	Audio Input	Line In / MIC In
Video S/N Ratio	> 50dB	Audio Output	Ethernet, SDI and HDMI
Shutter Speed	1/1 ~ 1/10,000 sec	Weight	2 kg (4.4 lbs)
Focal Length	f = 4.7 ~ 94 mm	Dimensions (W x D x H)	174 x 186 x 187mm (6.9" x 7.3" x 7.3")

I/O CONNECTIONS



Single Camera Connection



Multi-Camera Connection

